



Model IN-2000-L2-LC Analyzer

LOW CONCENTRATION OZONE ANALYZER



The Model **IN-2000-L2-LC** uses UV absorption to continuously measure low concentrations of ozone in the gas phase. With its advanced electronics design, the Model **IN-2000-L2-LC** delivers highly accurate and stable readings traceable to NIST standards. Sample temperature and pressure compensation is available as an option. The model **IN-2000-L2-LC** is typically used in areas around ozone generators, contact chambers, ozone destruct units, gas delivery systems, and semiconductor tools.

Applications:

- Ozone leak detection for environmental monitoring
- Workplace safety
- Ozone levels in post-destruct or pre-destruct units with a sample conditioning system
- Ozone levels in vent gas

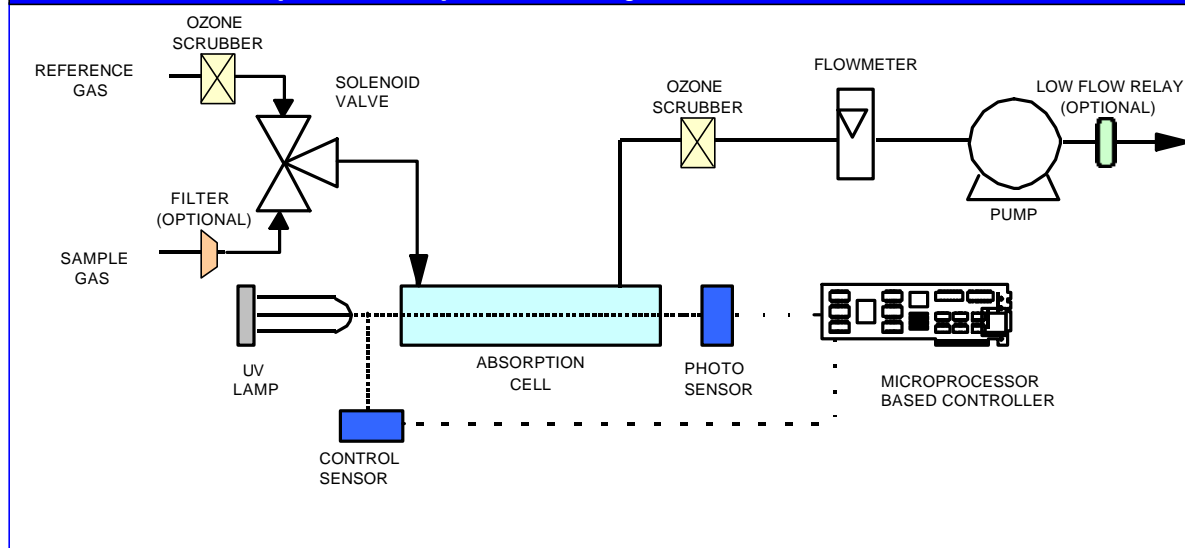
Features:

- UV Absorption technique
- Highly stable optical system
- Microprocessor based technology
- Dual field programmable alarms
- No consumables
- Reliable, repeatable and accurate

Specifications

Model IN-2000-L2-LC

Principle of Operation: The controller calculates the attenuation ratio of Ultra Violet light on the Photo sensor between a O zone free reference gas and the sample gas . The Ozone concentration is directly related to the amount of UV light absorbed in the sample cell at a specific wavelength.



Measuring Principle:	UV absorption with automatic zeroing	Readout:	2x20 character, alpha-numeric, LCD
Measuring Range:	0 – 10,000 PPM*, in multiples ranges	Analog Outputs:	4-20 mA and 0-10 VDC standard.
Resolution:	0.001 ppm (range 0-1 or 0 -10) 0.01ppm (range 0 -100) 0.1 ppm (range 0-1,000) 1 ppm (range 0-10,000)	Digital Outputs:	RS-232 interface
Linearity:	Better than 99% throughout range	Supply Voltage:	100-240 VAC 50/60 Hz
Calibration Standard:	Traceable to the US NIST	Sample Flow Rate:	1.0 LPM
Zero Drift:	None, digitally autozeroed	Connections:	¼" Swagelok fittings, others available
Standard Alarms:	Two field programmable alarms with form C relay contacts (SPDT, 5A 250 VAC resistive)	Configurations:	Nema-4X IP65 Wall Mount; 19" Rack Mount, others available
Diagnostic Features:	Continuous internal diagnostics with error messages & one instrument error relay	Dimensions:	(H x W x D) Nema-4X Weatherproof: 15.6 x 14.4 x 6.7 in. (396.9 x 365.1 x 169.9 mm.) Rack Mount: 5.25 x 19.00 x 18.18 in. (133.3 x 482.6 x 461.8 mm.)
Options:	Pressure and temperature compensation Low flow relay RS-422 Isolated 4-20 mA Sample Conditioning	Environmental Operating Conditions:	5-45°C; 0-95% RH non-condensing

* Other concentration units available upon request



IN USA, INC. - 87 CRESCENT ROAD - NEEDHAM, MA - 02494 - USA
TOLL FREE: (1) 800-798-4029 - TEL: (1)781-444-2929 - - FAX: (1)781-444-9229
www.inusacorp.com; E-mail: info@inusacorp.com

Specifications subject to change without notice

© 2001 IN USA, INC. - PRELIMINARY - ALL RIGHTS RESERVED - COMPANY CONFIDENTIAL DO NOT REPRODUCE