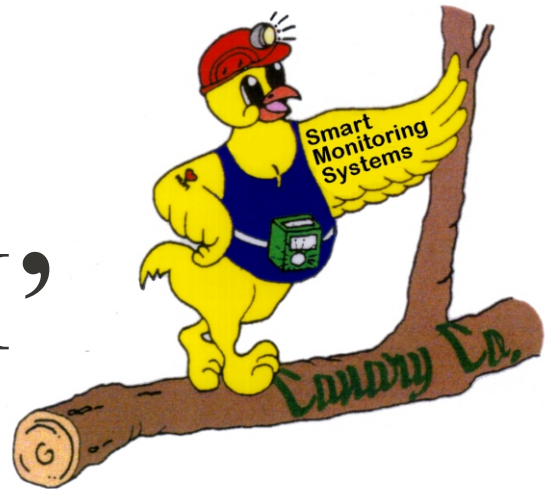


Canary 'SmarTox-I'



The 'SmarTox-I' gas detection head is a reliable and robust device that allows the safe and continuous monitoring of potentially hazardous areas for many toxic gases.

The 'SmarTox-I' head employs a highly respected and reliable electrochemical sensor to measure concentrations of specific gases. Internal electronics enable the sending of a gas proportional signal, via a 4 to 20 mA loop, to a control device.

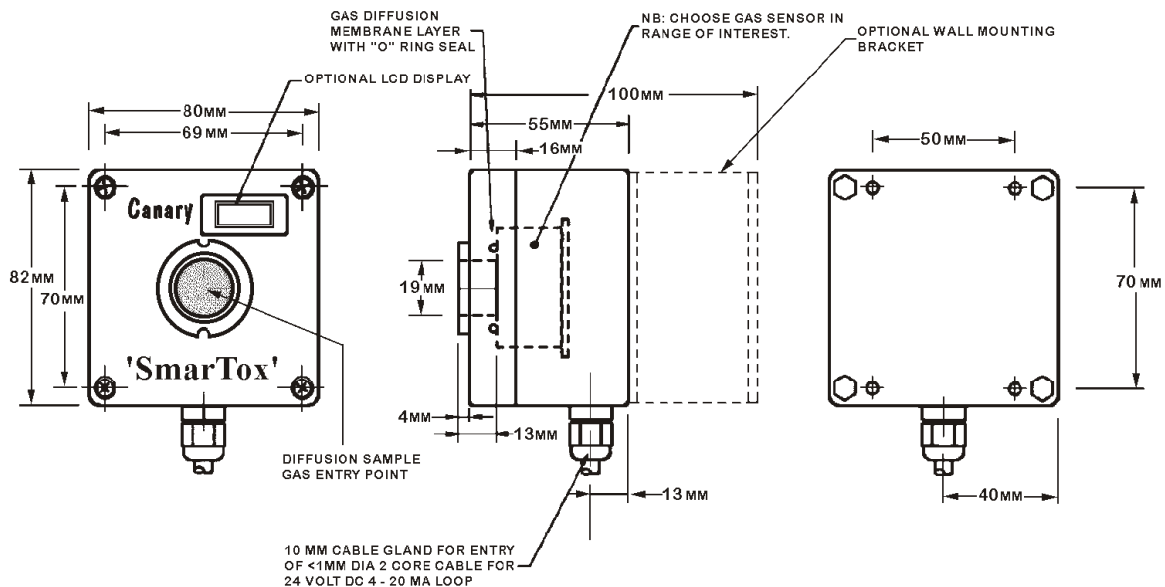
An optional front-panel, LCD display enables the viewing of the gas-level, locally, at the monitoring point. Calibration and maintenance costs are significantly reduced with this feature.

The following list of sensors are available, with the 'SmarTox' Gas Detection Head:

| Gas | Range (Min) | Range (Max) | Comments |
|--|----------------|------------------|---|
| Ammonia (NH ₃) | 0-50ppm | 0-200ppm | |
| Carbon Monoxide (CO) | 0-20ppm | 0-10% | |
| Carbon Dioxide (CO ₂) | 0-5000ppm | 0-30% | |
| Chlorine (Cl ₂) | 0-5ppm | 0-100ppm | |
| Ethylene (C₂H₄) | 0-50ppm | 0-1000ppm | |
| Ethylene Oxide (ETO) | 0-20ppm | 0-100ppm | |
| Hydrogen (H ₂) | 0-50ppm | 0-10,000ppm | |
| Hydrogen Chloride (HCl) | 0-5ppm | 0-100ppm | |
| Hydrogen Cyanide (HCN) | 0-10ppm | 0-200ppm | |
| Hydrogen Sulphide (H ₂ S) | 0-01-4.99ppm | 0-1000ppm | |
| Nitric Oxide (NO) | 0-10ppm | 0-1000ppm | (nil interference by NO ₂ , or CO) |
| Nitrogen Dioxide (NO ₂) | 0-5ppm | 0-500ppm | (nil interference by NO, or CO) |
| Oxygen (O ₂) | 0-1000ppm | 0-100% Vol. | |
| Ozone (O ₃) | 0-1ppm | 0-5ppm | |
| Phosphine (PH ₃) | 0-1ppm | 0-1000ppm | (nil interference by NO ₂ , or CO) |
| Sulphur Dioxide (SO ₂) | 0-3ppm | 0-4000ppm | (nil interference by H ₂ S) |

The Canary Company Pty Ltd

Canary 'SmarTox-I' Gas Sensing Heads



Transmitter Specifications :-

| | |
|---------------------------|---------------------------|
| Output: | 4 – 20mA DC |
| Operating Temperature: | -20 to +55 degrees C |
| Operating Humidity: | 15% to 90% non condensing |
| Operating Pressure: | Ambient \pm 10% |
| Sensor Life: | Typically 3 years |
| Long Life Accuracy Drift: | < 2% of full sig/mth |
| Power Requirement: | 10 to 35 VDC |

Options Available:

- 2 wire loop-powered, 4-20mA transmitters or, 3 and 4 wire electrode sensors.
- Calibration gases and regulators.
- Current isolation.
- Anodised wall-mounting brackets.
- Canary models 1000, 3000 and 8000 control units (up to 8 inputs each).
- Fixed and portable configurations.
- High moisture version.
- Ultra low and high range versions available.
- Modular design, including sample-draw and flow control module.



Manufactured in Australia By:

The Canary Company Pty Ltd

(A C N 065 558 563)

Suite 1, 163 Burns Bay Rd
LANE COVE NSW 2066

Visit our website at: www.canaryco.com.au

Distributed By:

Email: sales@canaryco.com.au

Ph: +61 2 9418-6666

Fax: +61 2 9427 3522